

## RMGZ 300A Series Force Measuring Roller

---

**Engineered to work in high revolution applications**

**Resistant against Centrifugal and Coriolis forces**

---

**Sheave support by single or double bearing**  
**High measuring accuracy even with heavy sheaves and high strand tensions**

---

**20 : 1 force measuring range**  
**Wide measuring capability**

---

**Nominal forces from 50 – 1000 N**  
**Sizes available for every application**

---



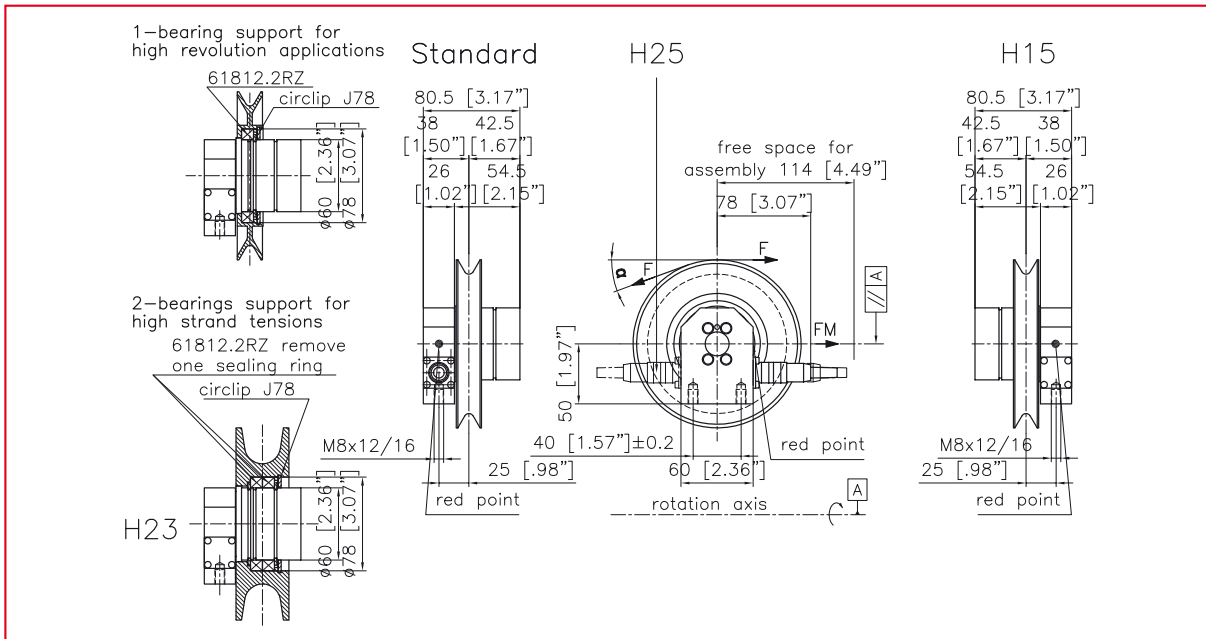
### ● RMGZ 300A Series

The RMGZ 300A Series force measuring roller is used to measure the tension in wires, cables and similar materials. This dedicated measuring roller family was developed to work in stranding machines with high revolutions. Its special design enables very effectively the compensation of centrifugal and coriolis forces. For applications with high strand tensions the sheave can be supported by two bearings extending considerably the range of usable sheaves and increasing the precision of the product.

### ● Functional Description

The RMGZ 300A works according to the dual flexion beam design with a build-in mechanical overload protection. A quadruple foil type strain gauge mounted in a full Wheatstone bridge configuration performs the actual tension measurement. This measuring principle ensures tension measurement with the highest accuracy also for low forces and at small wrap angles. Load dependent torque influences are eliminated even under high loads. The overload protection devices provide a high safety standard and ensure that frequent calibration is not required.

**RMGZ 300A Series • Dimensions in mm and [inch]**



**RMGZ 300A Series • Forces**

Sensor Type	N	Nominal Force [lbf]	G-limits* g
RMGZ315A	50	11.2	30
RMGZ321A	100	22.5	40
RMGZ322A	200	45.0	56
RMGZ325A	500	112.4	90
RMGZ331A	1000	224.8	125

\* with a sheave weight of 1 kg [2.2 lbs]

**RMGZ 300A Series • Technical data**

Sensitivity	1.8 mV / V
Sensitivity tolerance	< ± 0.2 %
Accuracy class	± 0.3 % (F <sub>nominal</sub> )
Temperature coefficient	± 0.1 % / 10 K
Temperature range	- 10...+ 60°C
Input resistance	350 Ω
Supply voltage	1...12 VDC
Maximum overload	10 times rated nominal force
Sensor material	Stainless steel
Sheave Support	1 or 2 bearings
Protection class	IP 40
Weight	0.6 kg [1.32 lbs]

**Options:**

- H14 = Right angle connector
- H15 = Red point left (ref. drawing)
- H21 = PG-gland connection
- H23 = 2 bearings 61812
- H25 = Connector left (ref. drawing)

**Order code (example):**



**Scope of delivery:**

- 1 Force measuring roller
- 1 Bearing 61812
- 1 Distance ring and snap ring
- 1 Straight connector

**Not included:**

- Sheave

**World Headquarters:**

**FMS Force Measuring Systems AG**  
 Aspstrasse 6  
 8154 Oberglatt (Switzerland)  
 Phone + 41 44 852 80 80  
 Fax + 41 44 850 60 06  
 info@fms-technology.com

**FMS USA, Inc.**  
 2155 Stonington Avenue  
 Suite 119  
 Hoffman Estates, IL 60169  
 Phone + 1 847 519 4400  
 Fax + 1 847 519 4401  
 fmsusa@fms-technology.com

**FMS UK**  
 Highfield, Atch Lench Road  
 Church Lench  
 Evesham WR 11 4UG  
 Phone + 44 1386 871023  
 Fax + 44 1386 871021  
 fmsuk@fms-technology.com

**FMS Italy**  
 Via Baranzate 67  
 20026 Novate Milanese  
 Phone + 39 02 39487035  
 Fax + 39 02 39487035  
 fmsit@fms-technology.com