

## RMGZ 400/600 Series Force Measuring Roller

---

**Nominal forces from 60 – 4000 N**  
**[13.5 – 900 lbf]**

**Wide material processing range**

---

**10 times overload protection**

**Recalibration is not required**

---

**50 : 1 force measuring range**

**Wide measuring capability at high resolution**

---

**Lifetime lubricated ball bearings built-in**

**No maintenance necessary**

---



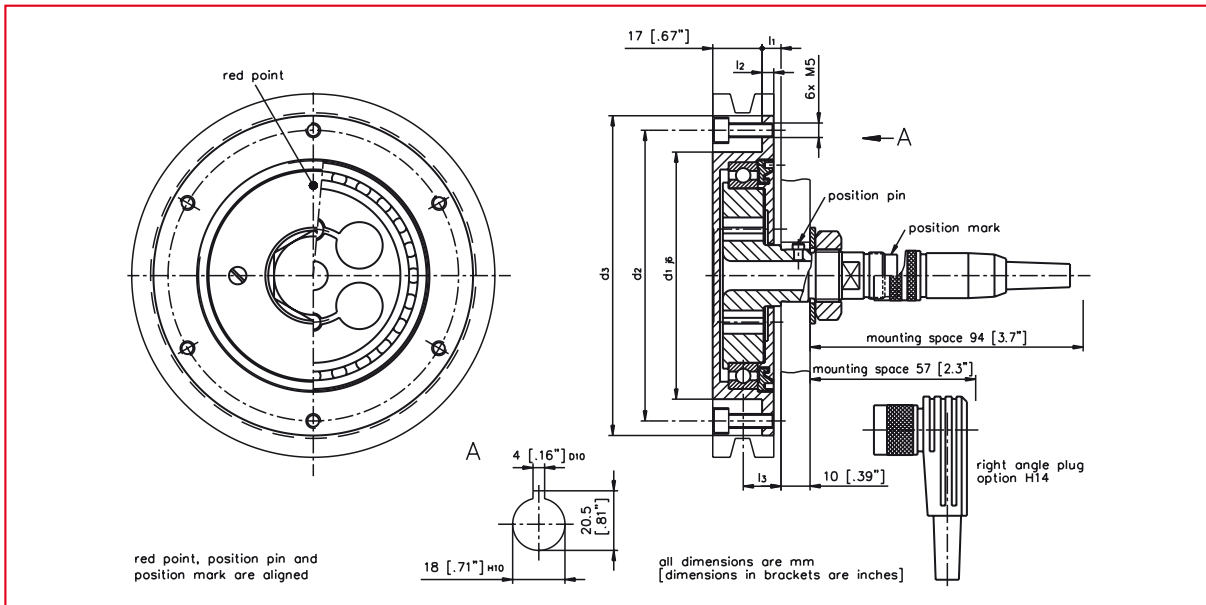
- **RMGZ 400/600 Series**

FMS force measuring roller RMGZ 400/600 series are used to measure the tension in wires, cables and narrow flat materials. An application specific sheave is mounted to the covering of the lifetime lubricated ball bearings. A mounting hole with a key-way is required in the machine frame. The key-way holds the position pin which prevents the sensor from twisting. The location of the position pin depends on the direction of force and the position of the red point.

- **Functional Description**

The force measuring rollers RMGZ 400/600 work based on an enhanced bending beam principal. This ensures maximum accuracy and high measuring sensitivity. Four foil-type strain gauges configured in a full Wheatstone Bridge are utilized to measure the material tension. A mechanical hard stop ensures the highest overload protection and makes the sensor virtually indestructible. This combination provides highest accuracy and reliability without the need for recalibration.

**RMGZ 400/600 Series • Dimensions in mm or [inch]**



**RMGZ 400/600 Series • Nominal Forces / Dimensions**

RMGZ Series	Nominal Force N [lbf]	Order Code FMS	Dimensions						Load rating C dyn kN [lbf]	Speed limit rpm	Weight kg [lbs]
			d1	d2	d3	l1	l2	l3			
RMGZ 400	60 [13.5]	RMGZ 416B									
	100 [22.5]	RMGZ 421B	85	100	110	6.5	4	13	11.8	8500	0.75
	200 [45]	RMGZ 422B	[3.34]	[3.94]	[4.33]	[0.256]	[0.157]	[0.512]	[2653]		[1.65]
	500 [112]	RMGZ 425B									
RMGZ 600	1000 [225]	RMGZ 631B	110	125	136	7.5	5	13.5	21.2	6700	0.9
	2000 [450]	RMGZ 632B	[4.33]	[4.92]	[5.35]	[0.295]	[0.197]	[0.531]	[4766]		[1.98]
	4000 [900]	RMGZ 634B									

**RMGZ 400/600 Series • Technical Data**

<b>Sensitivity</b>	1.8 mV / V
<b>Tolerance of sensitivity</b>	< ± 0.2 %
<b>Accuracy class</b>	± 0.5 % (F <sub>nominal</sub> )
<b>Temperature coefficient</b>	± 0.1 % / 10 K
<b>Temperature range</b>	-10...+60 °C (option H 16: -10...+120 °C) 14...140 °F (option H 16: 14...248 °F)
<b>Input resistance</b>	350 Ω
<b>Supply voltage</b>	1...12 VDC
<b>Overload protection</b>	10 times nominal force
<b>Material</b>	Force sensor: stainless steel; Cover: aluminium
<b>Protection class</b>	Sealed against dust (IP 40)

**Options:**

- H14** = Right angle connector
- H16** = Temperature range up to 120 °C [248 °F]

**Order code (example):**



**Scope of delivery:**

Straight connector  
(Sheave is not in the scope of delivery)

**World Headquarters:**

**FMS Force Measuring Systems AG**  
 Aspstrasse 6  
 8154 Oberglatt (Switzerland)  
 Phone + 41 44 852 80 80  
 Fax + 41 44 850 60 06  
 info@fms-technology.com

**FMS USA, Inc.**  
 2155 Stonington Avenue  
 Suite 119  
 Hoffman Estates, IL 60169  
 Phone + 1 847 519 4400  
 Fax + 1 847 519 4401  
 fmsusa@fms-technology.com

**FMS UK**  
 Highfield, Atch Lench Road  
 Church Lench  
 Evesham WR 11 4UG  
 Phone + 44 1386 871023  
 Fax + 44 1386 871021  
 fmsuk@fms-technology.com

**FMS Italy**  
 Via Baranzate 67  
 20026 Novate Milanese  
 Phone + 39 02 39487035  
 Fax + 39 02 39487035  
 fmsit@fms-technology.com

All data have been prepared and checked carefully. However, we cannot assume liability for any errors or incompleteness. Subject to modifications serving progress. 11.11.02.020/4e