



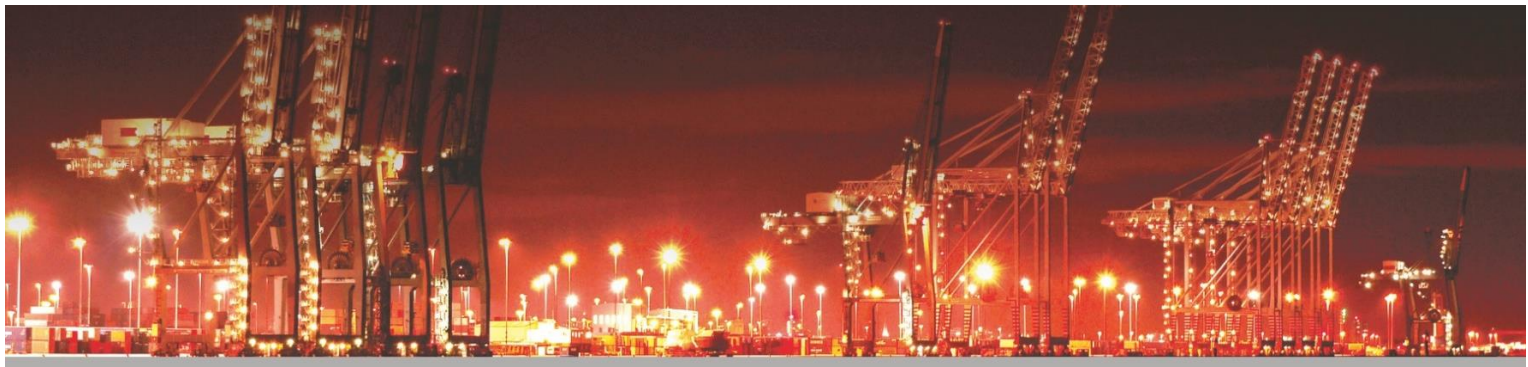
## LW460 Walklight



The LW460 Walklight is designed for the lighting system of cabin rooms and walkways of large-scale port cranes (RTG, RMG, QC, STS), interior luminaires of wind turbines (nacelle, tower and hub) and ceiling and passages of marine vessels; but is also perfect for application in heavy duty industries such as Marine & Offshore, steel and mining.

The armatures are equipped with a 5mm tempered glass diffuser with frosted finishing process to prevent the glaring. The LW460 Walkway lights have a very high energy efficiency (up to  $>100$  lm/w), are available with a  $>120^\circ$  optics and 3000K color temperature.

With a proven track record of over 18 years of experience worldwide, state-of-art advanced technology, long life span ( $> 50.000$  operating hours) and a shock and vibration proof design; NANHUA-EUROPE has a leading role being a dedicated supplier for small and big global companies, operating in many industrial sectors.

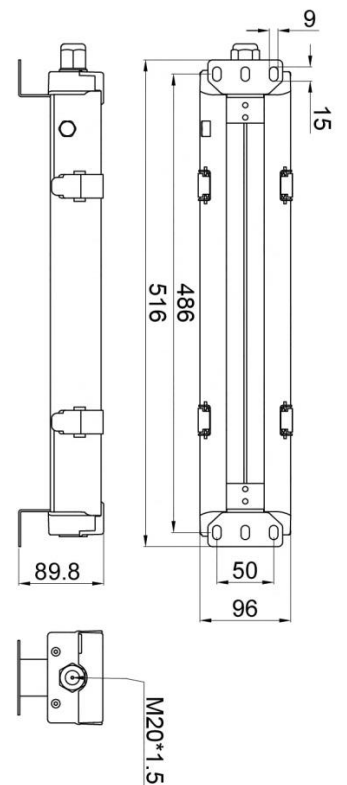


### Ordering key

LW460 - 755 . 12 . 120

### Technical Information

Operating Voltage	AC100V-AC240V / DC24V-DC48V / AC36V
Frequency	50 Hz to 60 Hz
Power consumption	12W
PF	0.9
Color Rendering Index	Ra > 72
Color temperature	5500 K
Lighting angle	> 120 °
Light efficiency	100lm / W
Lifetime	≥ 50.000hrs
Lumen depreciation	Less than 20% with 5 years usage
Operating temperature	-40 °C ~ +50 °C
Humidity	10% - 95%
IP Code	IP65
Material	Aluminum housing with tempered glass lens
Weight	2.5 kg



Due to technological evolution, the luminous flux and the electrical power have tolerances of +/- 10% compared to the indicated value (Ta +25°C).