

JG 205 Series Force Measuring Journal

Protection Class IP 68

Engineered to work under extreme conditions

10 times overload protection

No recalibration required

Compact and sturdy design

Requires little installation space

Nominal forces from 125 – 1500 N
[28 – 337 lbf]

Sizes available for every application

Stainless Steel Sensor

Corrosion resistant, ultra durable



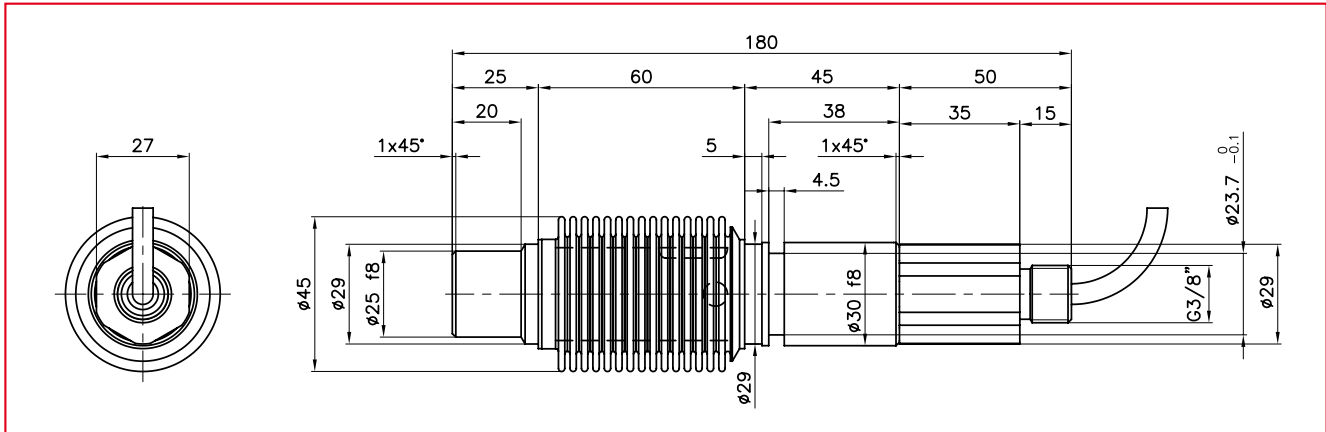
● JG 205 Series

JG 205 is ideally suited to work under the most stringent environmental requirements, where the exposure to aggressive chemical additives, high temperatures and humidity are factors. Thanks to its special compact and durable design these sensors are effectively used in textile applications such as Mercerizing Lines, Thermofixing, Coating and Laminating machines. The JG 205 Series can be combined with all FMS measuring amplifiers.

● Functional Description

A foil type strain gauge mounted in a full Wheatstone Bridge configuration performs the actual tension measurement. The dual flexion beam design eliminates angular deflection under load and ensures tension measurement with the highest accuracy and reliability even with low material wrap angles. The JG 205 sensor owes its high protection class (IP68) to a hermetically soldered stainless steel gaiter and glass sealed PG-glands.

JG 205 Series • Dimensions in mm



JG 205 Series • Forces

Sensor	Nominal Force
JG 205.125	125
JG 205.250	250
JG 205.500	500
JG 205.1000	1000
JG 205.1500	1500

JG 205 Series • Technical Data

Sensitivity	1.8 mV / V
Sensitivity tolerance	< ± 0.2 %
Accuracy class	± 0.5 % (F _{nominal})
Temperature coefficient	± 0.1 % / 10 K [±0.0055%/°F]
Temperature range	- 10...+ 60 °C - 10...+ 150 °C [14...302 °F] for H16
Input resistance	350 Ω
Supply voltage	1...12 VDC
Maximum overload	10 times rated nominal force
Sensor material	Stainless steel
Protection class	IP 68
Weight	0.7 kg [1.54 lbs]

Options:

H16 = Temperature range with PG-gland up to 150 °C [302 °F]

Order code (example):

JG205.1500.H16



Scope of delivery:

- Force measuring journal
- Operation manual
- 5 m cable for standard temperature range

Not included:

- Bearings
- Mounting screws
- In H16-option the high temperature cable has to be ordered separately.

World Headquarters:

FMS Force Measuring Systems AG
 Aspstrasse 6
 8154 Oberglatt (Switzerland)
 Phone + 41 44 852 80 80
 Fax + 41 44 850 60 06
 info@fms-technology.com

FMS USA, Inc.
 2155 Stonington Avenue
 Suite 119
 Hoffman Estates, IL 60169
 Phone + 1 847 519 4400
 Fax + 1 847 519 4401
 fmsusa@fms-technology.com

FMS UK
 Highfield, Atch Lench Road
 Church Lench
 Evesham WR 11 4UG
 Phone + 44 1386 871023
 Fax + 44 1386 871021
 fmsuk@fms-technology.com

FMS Italy
 Via Baranzate 67
 20026 Novate Milanese
 Phone + 39 02 39487035
 Fax + 39 02 39487035
 fmsit@fms-technology.com