

Incremental encoders

Solid shaft with EURO flange B10

300...5000 pulses per revolution

POG 10



POG 10

Technical data - electrical ratings

Voltage supply	9...30 VDC 5 VDC \pm 5 %
Consumption w/o load	\leq 100 mA
Pulses per revolution	300...5000
Phase shift	90° \pm 20°
Scan ratio	40...60 %
Reference signal	Zero pulse, width 90°
Sensing method	Optical
Output frequency	\leq 120 kHz \leq 300 kHz (on request)
Output signals	K1, K2, K0 + inverted Error output (only EMS)
Output stages	HTL-P (power linedriver) TTL/RS422
Interference immunity	EN 61000-6-2
Emitted interference	EN 61000-6-3
Approvals	CE, UL approval / E256710

Features

- TTL output driver for cable length up to 500 m
- High resistance to shock and vibrations
- EURO-flange B10 / solid shaft \varnothing 11 mm
- Large terminal box, turn by 180°

Optional

- Function control with EMS
(Enhanced Monitoring System)
- Redundant sensing with two terminal boxes
- Second shaft end
- Housing foot (B3)
- With heating up to -50°C

Technical data - mechanical design

Size (flange)	\varnothing 115 mm
Shaft type	\varnothing 11 mm solid shaft
Admitted shaft load	\leq 300 N axial \leq 450 N radial
Flange	EURO flange B10
Protection DIN EN 60529	IP 66
Operating speed	\leq 12000 rpm (mechanical)
Operating torque typ.	2 Ncm
Rotor moment of inertia	200 gcm ²
Materials	Housing: aluminium die-cast Shaft: stainless steel
Operating temperature	-40...+100 °C -25...+100 °C (>3072 pulses per revolution) -50...+100 °C (optional)
Resistance	IEC 60068-2-6 Vibration 20 g, 10-2000 Hz IEC 60068-2-27 Shock 200 g, 6 ms
Explosion protection	II 3 G Ex nA IIC T4 Gc (gas) II 3 D Ex tc IIIC T135°C Dc (dust)
Connection	Terminal box 2x terminal box (with option M)
Weight approx.	1.9 kg, 2.1 kg (with option M)

Incremental encoders

Solid shaft with EURO flange B10

300...5000 pulses per revolution

POG 10

Part number

Incremental encoder

POG10 **DN**

Mounting type
EURO flange B10
B3 Housing foot

Voltage supply / signals
I 9...30 VDC / output stage HTL with inverted signals
TTL 5 VDC / output stage TTL with inverted signals
R 9...30 VDC / output stage TTL with inverted signals

Pulse number - see table

Output signals
DN K1, K2, K0

Redundant sensing
Without redundant sensing
M With redundant sensing (not possible at version with housing foot B3)

EMS - Enhanced Monitoring System
Without EMS
.2 With EMS

Pulse number

300	1000	2048	4096
500	1024	2500	5000
512	1200	3072	

Other pulse numbers on request.

Accessories

Connectors and cables

HEK 8 Sensor cable for encoders

Mounting accessories

K 35 Spring washer coupling
for solid shaft $\varnothing 6...12$ mm

K 50 Spring washer coupling
for solid shaft $\varnothing 11...16$ mm

K 60 Spring washer coupling
for solid shaft $\varnothing 11...22$ mm

Diagnostic accessories

HENQ 1100 Analyzer for encoders

Subject to modification in technic and design. Errors and omissions excepted.

Incremental encoders

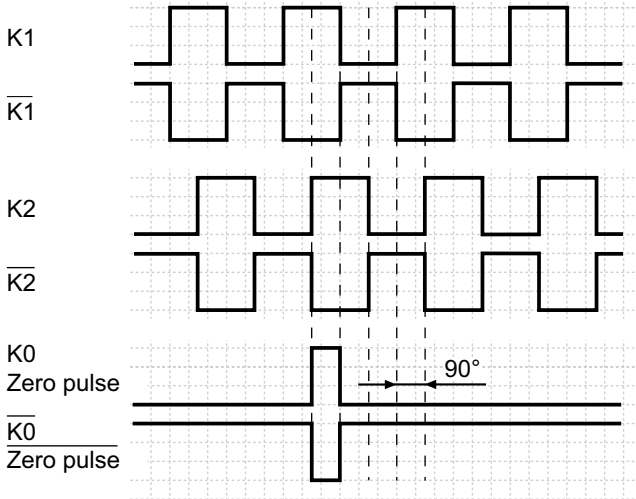
Solid shaft with EURO flange B10

300...5000 pulses per revolution

POG 10

Output signals

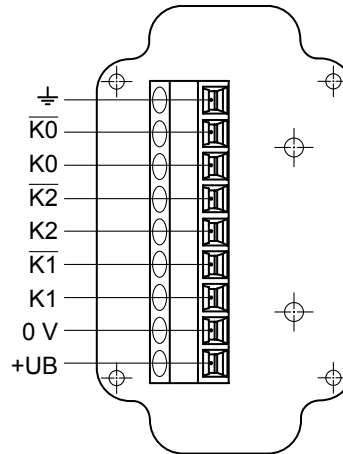
At positive rotating direction



Terminal assignment

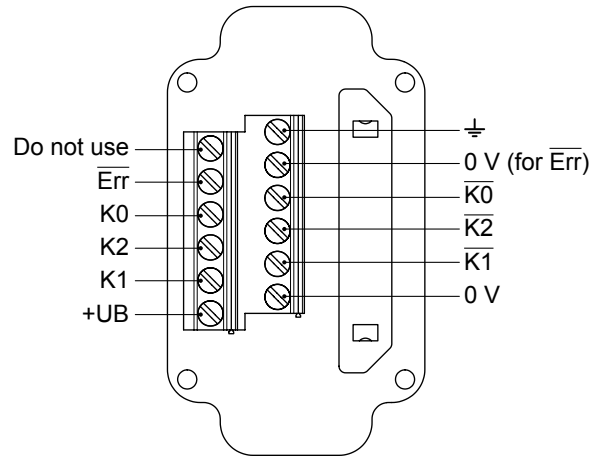
View A

Connecting terminal in terminal box



Option EMS: View A

Connecting terminal in terminal box



Option EMS: LED status / Error output

Flash light red*	Error of signal sequence, zero pulse or pulses (Error output = HIGH-LOW alternation)
Red	Overload output driver (Error output = LOW)
Flash light green	Encoder o.k., rotating (Error output = HIGH)
Green	Encoder o.k., stopped (Error output = HIGH)
No light	No output voltage connection or wrong connection (Error output = LOW)

* Only at rotating encoder

Incremental encoders

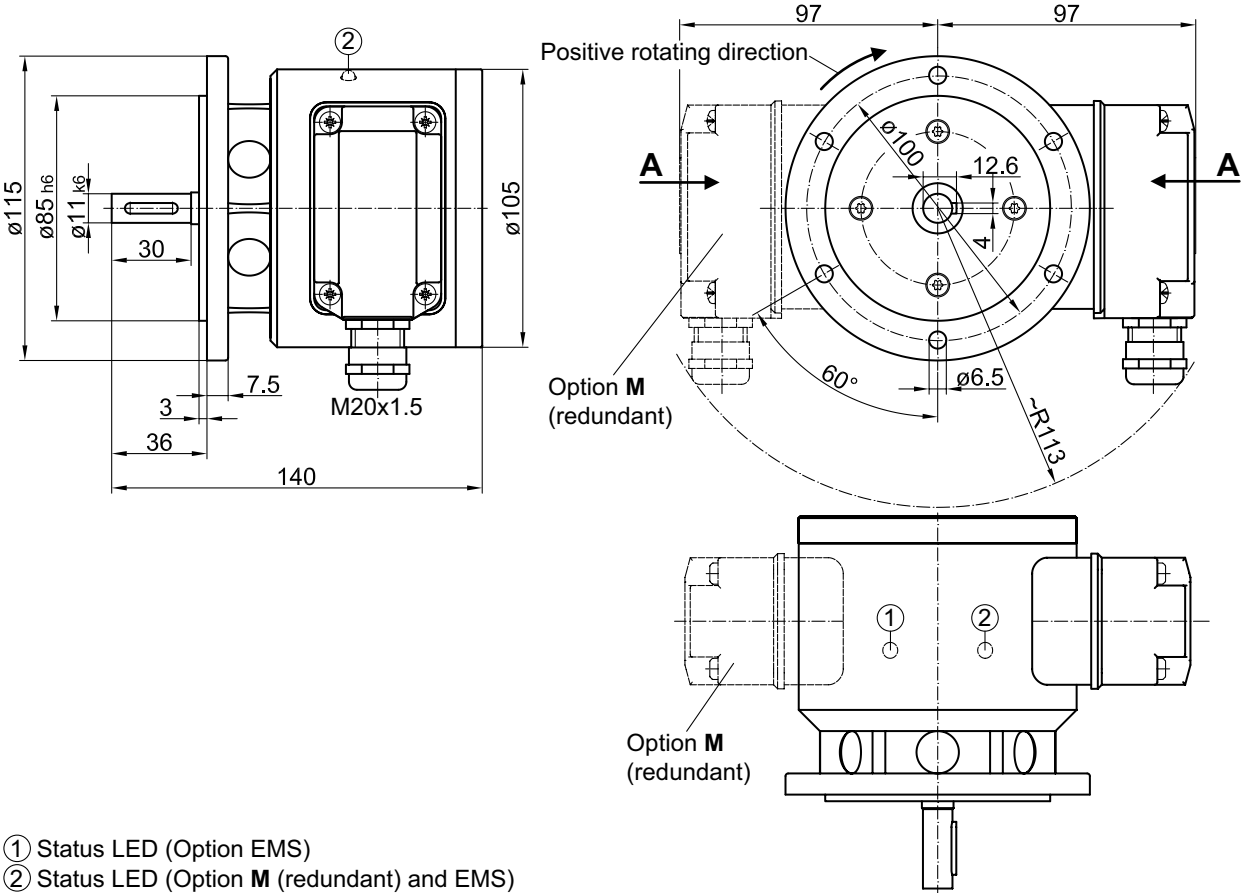
Solid shaft with EURO flange B10

300...5000 pulses per revolution

POG 10

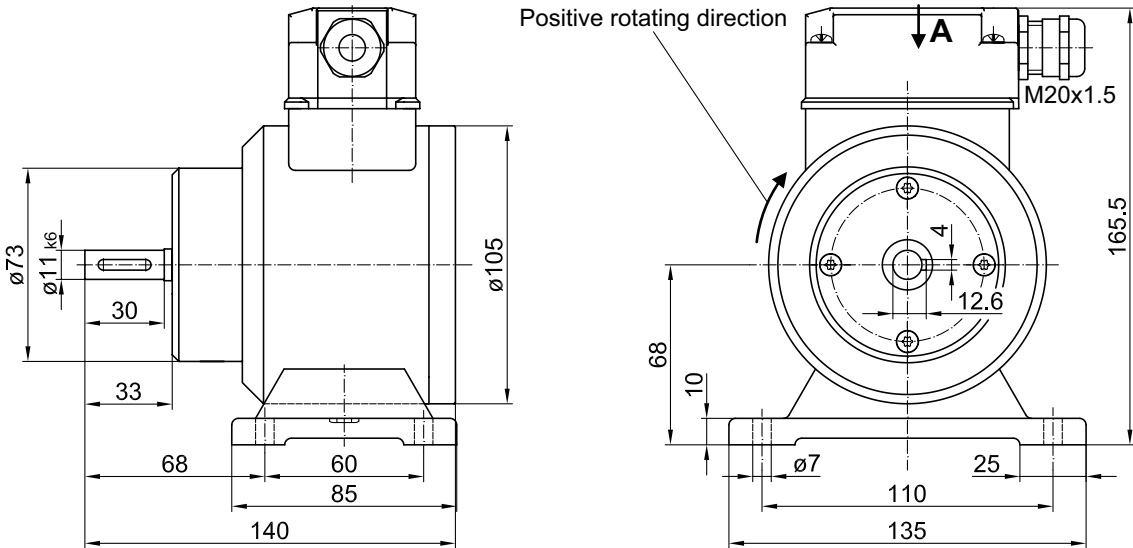
Dimensions

POG 10 (POG 10.2, POG 10 M, POG 10.2 M) - Version with Euro flange (B10)



- ① Status LED (Option EMS)
- ② Status LED (Option M (redundant) and EMS)

POG 10 - Version with housing foot (B3)



Subject to modification in technic and design. Errors and omissions excepted.