

Sine encoders

Through hollow shaft $\varnothing 14...26$ mm or cone shaft $\varnothing 17$ mm (1:10)

720...5000 sinewave cycles per turn

HOGS 75



HOGS 75 KC

Technical data - electrical ratings

Voltage supply	5 VDC ± 10 % 9...26 VDC
Consumption w/o load	≤ 90 mA
Sinewave cycles per turn	720...5000
Reference signal	Zero pulse, width 90°
Sensing method	Optical
Output signals	K1, K2, K0 + inverted
Output stages	SinCos 1 Vpp
Difference of SinCos amplitude	≤ 20 mV
Harmonics typ.	-50 dB
DC offset	≤ 20 mV
Bandwidth	200 kHz (-3 dB)
Interference immunity	EN 61000-6-2
Emitted interference	EN 61000-6-3
Approvals	CE, UL approval / E256710

Features

- Compact, robust aluminium housing
- Inside connecting terminals
- SinCos output-signals 1 Vpp
- Low harmonic content (patented LowHarmonics technology)
- Especially high resistance to vibrations
- Hybrid bearing for extended lifetime

Optional

- Cable output

Technical data - mechanical design

Size (flange)	$\varnothing 75$ mm
Protection DIN EN 60529	IP 56
Starting torque	≤ 4 Ncm
Rotor moment of inertia	180 gcm ²
Materials	Housing: aluminium Shaft: stainless steel
Operating temperature	-20...+70 °C
Resistance	IEC 60068-2-6 Vibration 48 g, 10-2000 Hz IEC 60068-2-27 Shock 200 g, 6 ms
Explosion protection	II 3 G Ex nA IIC T4 Gc (gas) II 3 D Ex tc IIIC T135°C Dc (dust)
Connection	Connecting terminal

HOGS 75

Shaft type	$\varnothing 14...26$ mm (through hollow shaft)
Admitted shaft load	≤ 80 N axial ≤ 150 N radial
Operating speed	≤ 10000 rpm (mechanical)
Weight approx.	580 g

HOGS 75 K

Shaft type	$\varnothing 17$ mm (cone shaft 1:10)
Admitted shaft load	≤ 170 N axial ≤ 250 N radial
Operating speed	≤ 12000 rpm (mechanical)
Weight approx.	860 g

Sine encoders

Through hollow shaft $\varnothing 14...26$ mm or cone shaft $\varnothing 17$ mm (1:10)

720...5000 sinewave cycles per turn

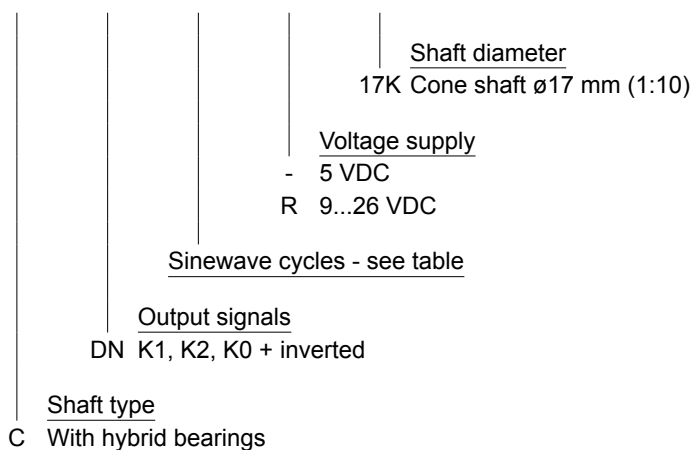
HOGS 75

Part number

Sine encoder with cone shaft

HOGS75K

C	DN					17K
---	----	--	--	--	--	-----



Sinewave cycles

720	1024	2048	5000
-----	------	------	------

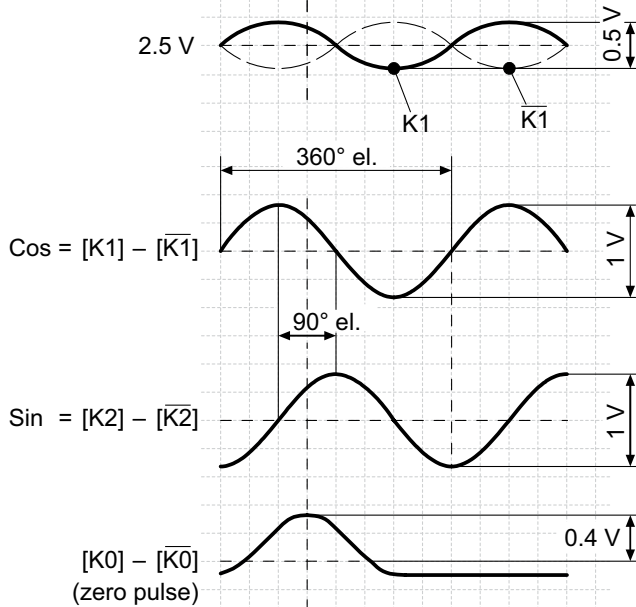
Sine encoders

Through hollow shaft $\varnothing 14...26$ mm or cone shaft $\varnothing 17$ mm (1:10)
720...5000 sinewave cycles per turn

HOGS 75

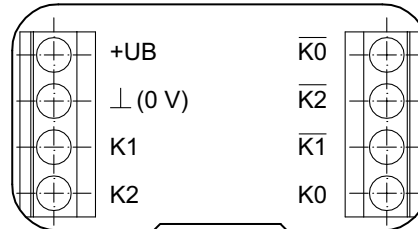
Output signals

at positive direction of rotation



Terminal assignment

View A - Connecting terminal



Accessories

Connectors and cables

HEK 8 Sensor cable for encoders

Mounting accessories

DMS 6 Torque arm size M6

Diagnostic accessories

HENQ 1100 Analyzer for encoders

Sine encoders

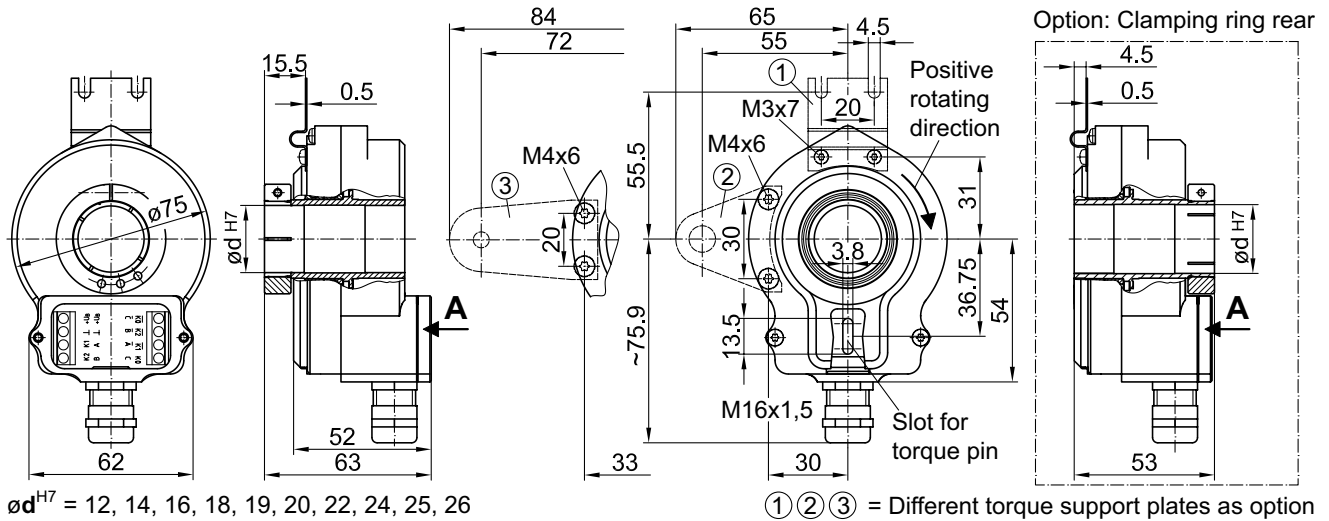
Through hollow shaft $\varnothing 14...26$ mm or cone shaft $\varnothing 17$ mm (1:10)

720...5000 sinewave cycles per turn

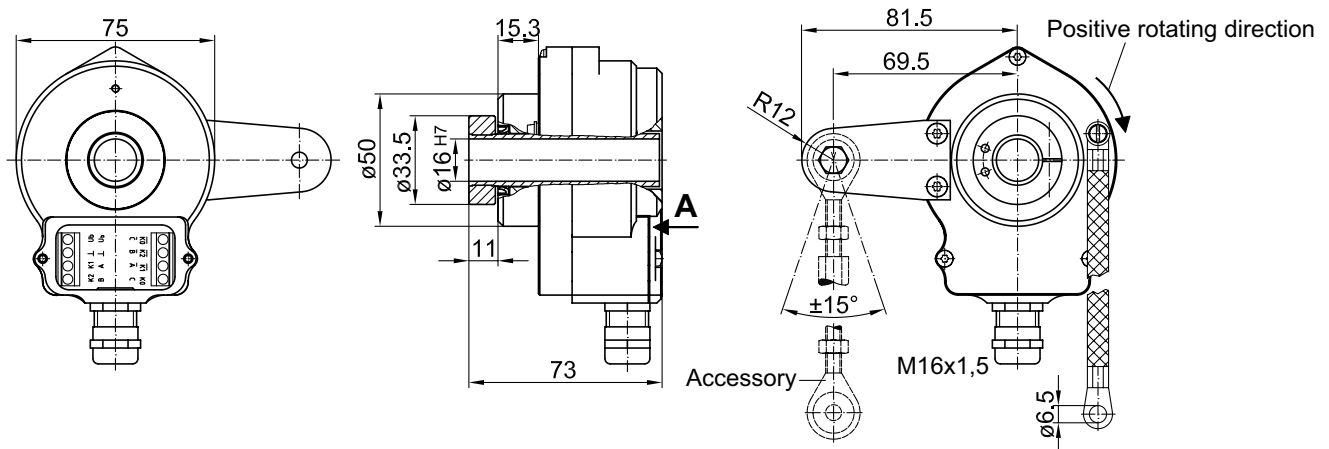
HOGS 75

Dimensions

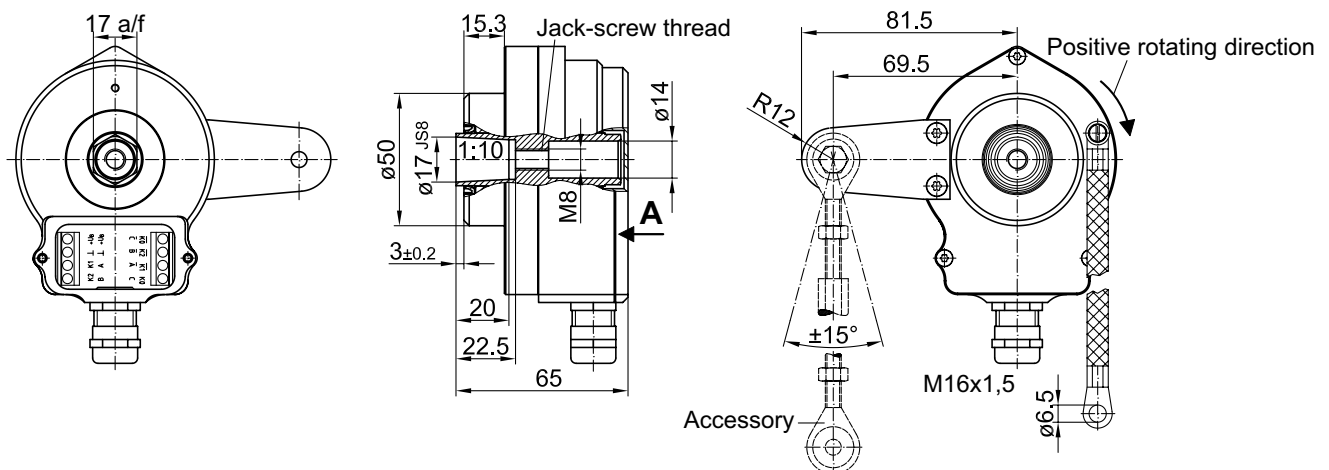
HOGS 75 - With through hollow shaft without hybrid bearings



HOGS 75 C - With through hollow shaft and hybrid bearings



HOGS 75 KC - With cone shaft and hybrid bearings



Subject to modification in technic and design. Errors and omissions excepted.