

Sine encoders

Through hollow shaft up to $\varnothing 75$ mm

1024...5000 sinewave cycles per turn

HOGS 14



HOGS 14

Features

- Through hollow shaft up to $\varnothing 75$ mm
- Up to 5000 sinewaves cycles per turn
- Low harmonic content (patented LowHarmonics technology)
- Top-quality SinCos output-signals

Technical data - electrical ratings

Voltage supply	5 VDC ± 5 % 9...26 VDC
Consumption w/o load	≤ 90 mA
Sinewave cycles per turn	1024...5000
Phase shift	90°
Reference signal	Zero pulse, width 90°
Sensing method	Optical
Output signals	K1, K2, K0 + inverted
Output stages	SinCos 1 Vpp
Difference of SinCos amplitude	≤ 20 mV
Harmonics typ.	-50 dB
DC offset	≤ 20 mV
Bandwidth	200 kHz (-3 dB)
Interference immunity	EN 61000-6-2
Emitted interference	EN 61000-6-3
Approvals	CE, UL approval / E256710

Technical data - mechanical design

Size (flange)	$\varnothing 158$ mm
Shaft type	$\varnothing 40...75$ mm (through hollow shaft)
Admitted shaft load	≤ 350 N axial ≤ 500 N radial
Protection DIN EN 60529	IP 55
Operating speed	≤ 6300 rpm (mechanical)
Operating torque typ.	15 Ncm
Rotor moment of inertia	16.5 kgcm ² ($\varnothing 70$)
Materials	Housing: aluminium Shaft: stainless steel
Operating temperature	$-20...+85$ °C
Resistance	IEC 60068-2-6 Vibration 10 g, 10-2000 Hz IEC 60068-2-27 Shock 100 g, 6 ms
Connection	Terminal box
Weight approx.	2.5 kg

Sine encoders

Through hollow shaft up to $\varnothing 75$ mm
1024...5000 sinewave cycles per turn

HOGS 14

Part number

HOGS14 **DN**

Shaft diameter
 40H7 Through hollow shaft $\varnothing 40$ mm
 45H7 Through hollow shaft $\varnothing 45$ mm
 48H7 Through hollow shaft $\varnothing 48$ mm
 50H7 Through hollow shaft $\varnothing 50$ mm
 60H7 Through hollow shaft $\varnothing 60$ mm
 70H7 Through hollow shaft $\varnothing 70$ mm
 75H7 Through hollow shaft $\varnothing 75$ mm

 Voltage supply
 - 5 VDC
 R 9...26 VDC

 Sinewave cycles - see table

 Output signals
 DN K1, K2, K0 + inverted

Sinewave cycles

1024 | 5000

Accessories

Connectors and cables

HEK 8 Sensor cable for encoders

Diagnostic accessories

HENQ 1100 Analyzer for encoders

Sine encoders

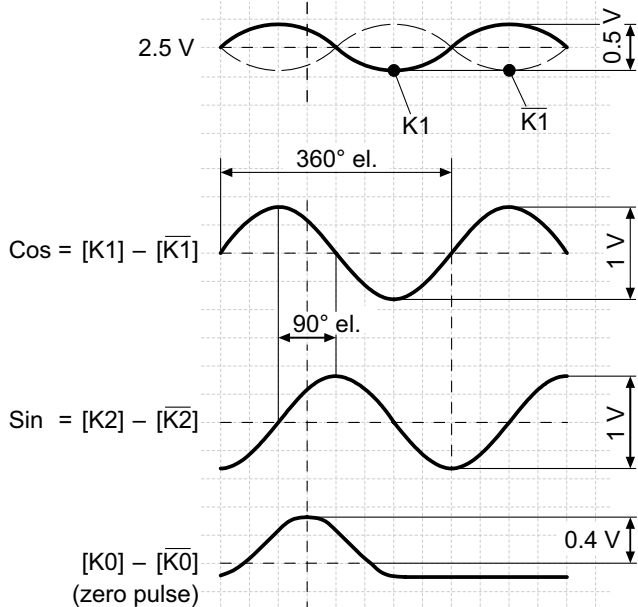
Through hollow shaft up to $\varnothing 75$ mm

1024...5000 sinewave cycles per turn

HOGS 14

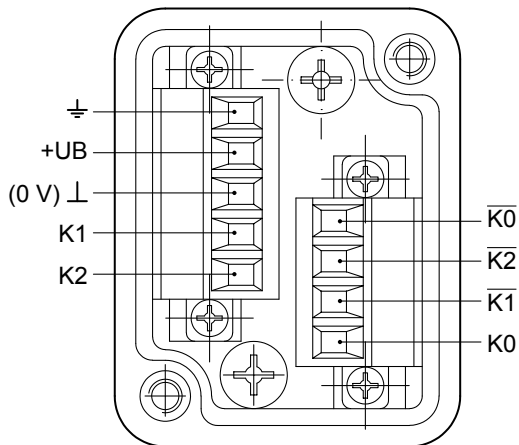
Output signals

at positive direction of rotation

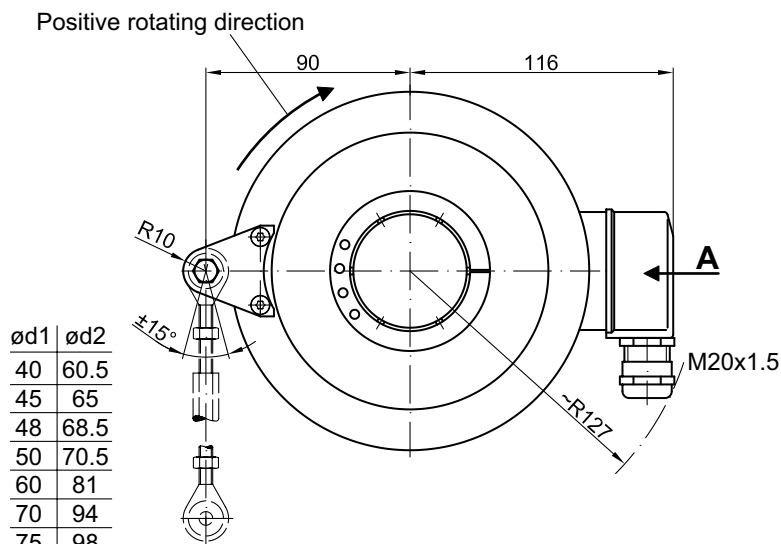
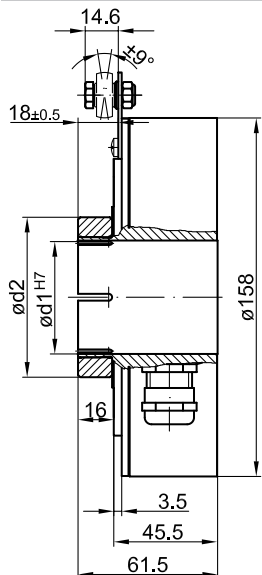


Terminal assignment

View A - Connecting terminal in terminal box



Dimensions



$\varnothing d1$	$\varnothing d2$
40	60.5
45	65
48	68.5
50	70.5
60	81
70	94
75	98

Sine encoders

Through hollow shaft up to $\varnothing 75$ mm
1024...5000 sinewave cycles per turn

HOGS 14
