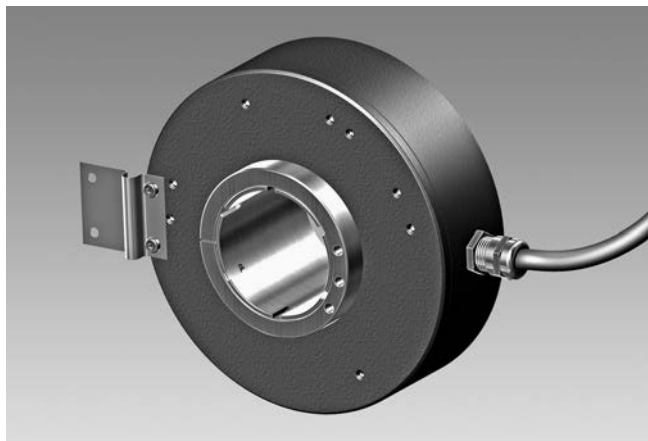


Incremental encoders

Through hollow shaft $\varnothing 30$ to $\varnothing 45$ mm
600...1200 pulses per revolution

HOG 12



HOG 12

Features

- Through hollow shaft $\varnothing 30$... $\varnothing 45$ mm
- Optical sensing method
- Robust light-metal housing
- Output stage HTL or TTL
- Output stage TTL with regulator UB 9...26 VDC

Technical data - electrical ratings

Voltage supply	9...26 VDC 5 VDC ± 5 %
Consumption w/o load	≤ 100 mA
Pulses per revolution	600...1200
Phase shift	$90^\circ \pm 20^\circ$
Scan ratio	40...60 %
Reference signal	Zero pulse, width 90°
Sensing method	Optical
Output frequency	≤ 120 kHz
Output signals	K1, K2, K0 + inverted
Output stages	HTL TTL/RS422
Interference immunity	EN 61000-6-2
Emitted interference	EN 61000-6-3
Approvals	CE, UL approval / E256710

Technical data - mechanical design

Size (flange)	$\varnothing 125$ mm
Shaft type	$\varnothing 30$... $\varnothing 45$ mm (through hollow shaft)
Admitted shaft load	≤ 30 N axial ≤ 40 N radial
Protection DIN EN 60529	IP 54
Operating speed	≤ 6000 rpm (mechanical)
Operating torque typ.	10 Ncm
Rotor moment of inertia	1.3 kgcm ²
Materials	Housing: aluminium alloy Shaft: stainless steel
Operating temperature	-30 ... $+85$ °C
Resistance	IEC 60068-2-6 Vibration 10 g, 10-2000 Hz IEC 60068-2-27 Shock 100 g, 6 ms
Connection	Cable 1 m
Weight approx.	1 kg

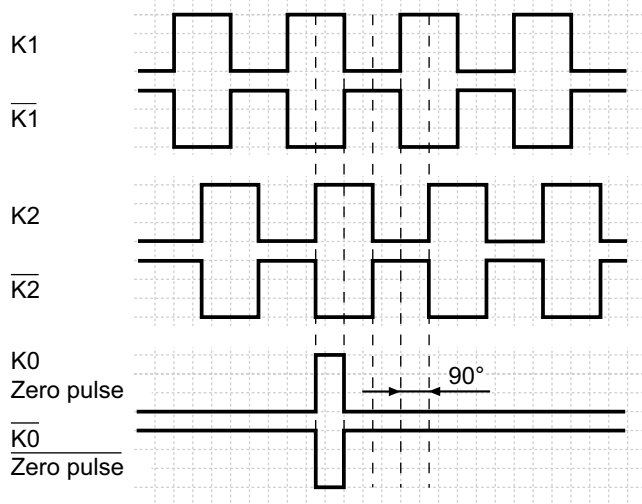
Incremental encoders

Through hollow shaft $\varnothing 30$ to $\varnothing 45$ mm
600...1200 pulses per revolution

HOG 12

Output signals

At positive rotating direction



Terminal assignment

Cable assignment

Lead colour	Assignment
Red	+UB
Blue	0 V
White	K1
Brown	$\overline{K1}$ (K1 inv.)
Green	K2
Yellow	$\overline{K2}$ (K2 inv.)
Grey	K0 (Zero pulse)
Pink	$\overline{K0}$ (Zero pulse inv.)

Incremental encoders

Through hollow shaft $\varnothing 30$ to $\varnothing 45$ mm
600...1200 pulses per revolution

HOG 12

Dimensions

