

# Incremental encoders

Ex approval ATEX II 2 G Ex db e IIC T5/T6 Gb and IECEx Ex db e IIC T5/T6 Gb

25...5000 pulses per revolution

## EEx OG 9 - incremental



EEx OG 9

### Technical data - electrical ratings

Voltage supply	9...30 VDC 5 VDC $\pm$ 5 % 9...26 VDC
Consumption w/o load	$\leq$ 100 mA
Pulses per revolution	25...5000
Phase shift	90° $\pm$ 20°
Scan ratio	40...60 %
Reference signal	Zero pulse, width 90°
Sensing method	Optical
Output frequency	$\leq$ 120 kHz (pulses $\leq$ 1250) $\leq$ 250 kHz (pulses $>$ 1250)
Output signals	K1, K2, K0 + inverted
Output stages	HTL TTL/RS422
Interference immunity	EN 61000-6-2
Emitted interference	EN 61000-6-3
Approval	CE

### Features

- Encoder incremental / ATEX / IECEx
- Optical sensing method
- ATEX II 2 G Ex db e IIC T5/T6 Gb
- IECEx Ex db e IIC T5/T6 Gb
- Solid shaft  $\varnothing$ 11 mm
- Robust light-metal housing
- Output stage HTL or TTL
- Output stage TTL with regulator UB 9...26 VDC
- Large terminal box, turn by 90°

### Optional

- Cable gland M20x1.5 or M25x1.5

### Technical data - mechanical design

Size (flange)	$\varnothing$ 115 mm
Shaft type	$\varnothing$ 11 mm solid shaft
Admitted shaft load	$\leq$ 200 N axial $\leq$ 350 N radial
Flange	EURO flange B10
Protection DIN EN 60529	IP 56
Operating speed	$\leq$ 6000 rpm (T5, mechanical) $\leq$ 4500 rpm (T6, mechanical)
Operating torque typ.	4 Ncm
Rotor moment of inertia	290 gcm <sup>2</sup>
Materials	Housing: aluminium die-cast Shaft: stainless steel
Ambient temperature	-40...+55 °C (25...360 pulses per revolution) -50...+55 °C (500...2500 pulses per revolution) -25...+55 °C (3072...5000 pulses per revolution)
Resistance	IEC 60068-2-6 Vibration 10 g, 50-2000 Hz IEC 60068-2-27 Shock 100 g, 6 ms
Explosion protection	II 2 G Ex db e IIC T5/T6 Gb Ex db e IIC T5/T6 Gb
Connection	Terminal box
Weight approx.	3.5 kg



# Incremental encoders

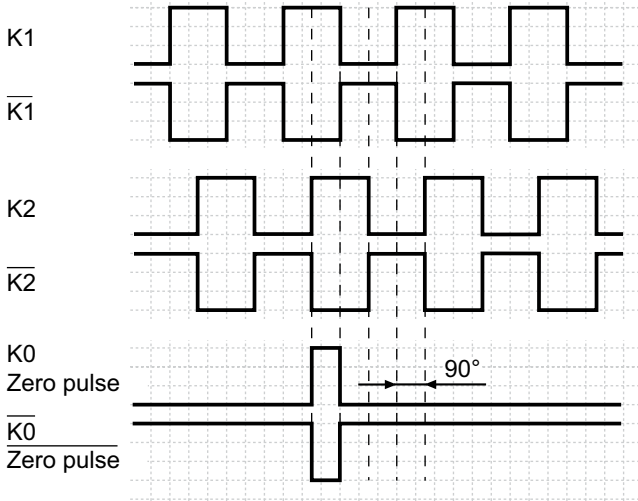
Ex approval ATEX II 2 G Ex db e IIC T5/T6 Gb and IECEx Ex db e IIC T5/T6 Gb

25...5000 pulses per revolution

## EEx OG 9 - incremental

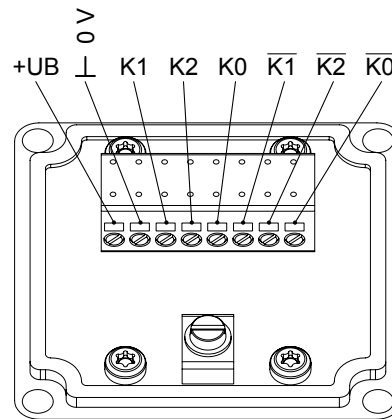
### Output signals

At positive rotating direction



### Terminal assignment

View A - Connecting terminal

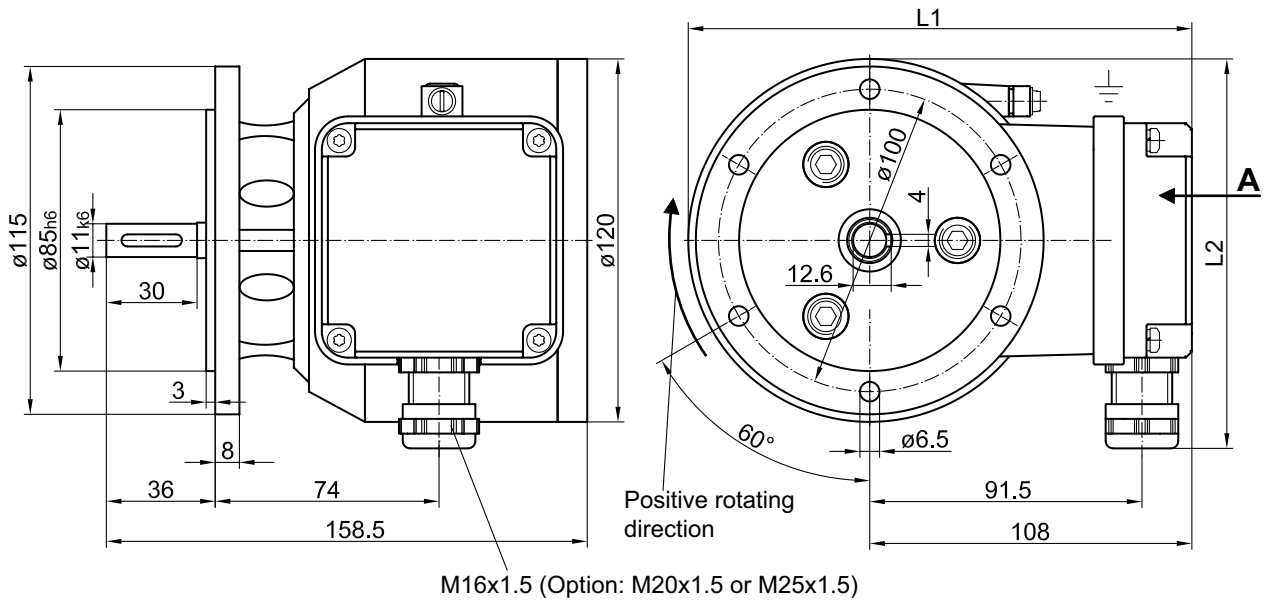


# Incremental encoders

Ex approval ATEX II 2 G Ex db e IIC T5/T6 Gb and IECEx Ex db e IIC T5/T6 Gb  
25...5000 pulses per revolution

EEx OG 9 - incremental

## Dimensions



L1	L2	Cable gland
168	~125	M16x1.5
168	~145	M16x1.5 with extension to M20x1.5
168	~129	M20x1.5
177	~129	M25x1.5