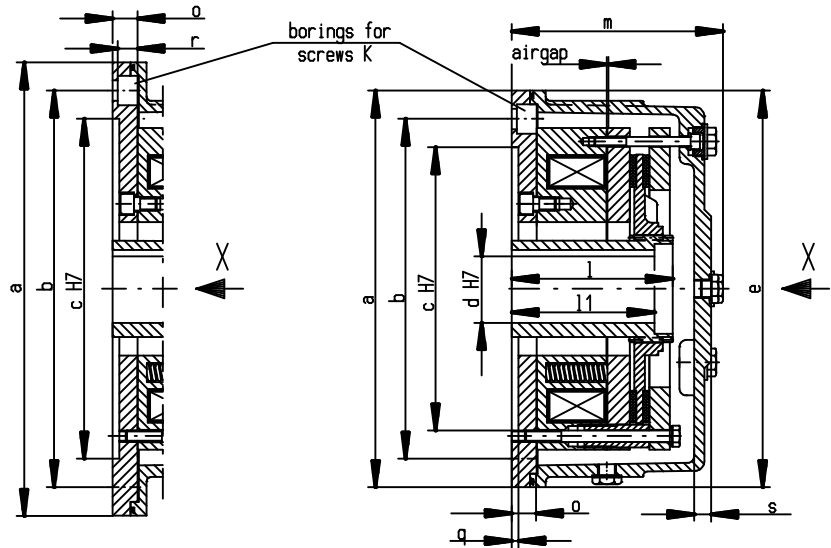
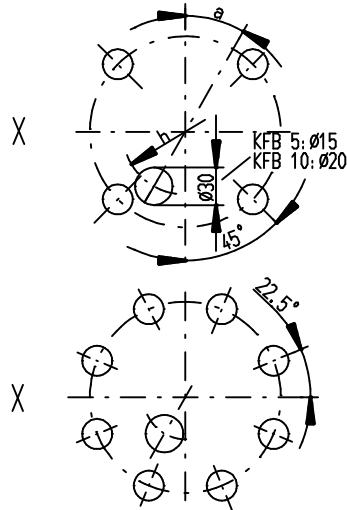


# Electromagnetic Double-Disc Spring-Applied Brake Series KFB



Bolthole circle on flanges (DIN 42948)  
for screws K



Brake size		K F B 5	K F B 10	K F B 16	K F B 25	K F B 30	K F B 40	K F B 63	K F B 100	K F B 160
Brake torque M2 dynamic acc. to DIN VDE 0580	Nm	50	100	160	250	300	400	630	1000	1600
Mass moment of inertia	kgm <sup>2</sup>	0.0010	0.0017	0.0037	0.0048	0.0055	0.0068	0.0175	0.036	0.050
Weight	kg	13	19	28	42	50	55	74	106	168
Max. speed	min <sup>-1</sup>	6000	6000	6000	6000	6000	5500	4700	4000	3600
Coil at 20°C	Nominal voltage	V-	110	110	110	110	110	110	110	110
	Nominal power	W	79	93	128	158	133	196	220	307
	Nominal current	A	0.72	0.84	1.16	1.44	1.2	1.78	2.0	2.79
Airgap off	normal	mm	0.3	0.3	0.3	0.3	0.3	0.4	0.4	0.4
	max.	mm	0.8	1.0	1.0	1.2	0.8	1.2	1.3	1.6
Diameter mm	B-Side	d pilot bore	8	26	26	36	26	36	36	36
		d preferential bore H7	15	28	28	38	32	38	48	60
			20	32	32	42	38	42	55	65
			25	38	38	48	42	48	60	75
e	160/200	200/250	253/303	300/350	250/300	303/350	350/400	400/450	450/550	
f										
h	93	106	144	194	144	194	214	264	314	
Length mm	l	110	110	96	117	137	117	142	148	155
	l <sub>1</sub>	110	110	96	117	137	117	142	142	142
	m	145	154	141	165	175	175	187	196	218
	s	13	15	15	15	15	15	15	15	17
	α°	22.5	30	30	30	67.5	30	30	30	30
Suitable standard flanges		A160	A200	A250	A300	A250	A300	A350	A400	A450
		A200	A250	A300	A350	A300	A350	A400	A450	A550

## Dimensions of standard flanges

Size of standard flanges		A160	A200	A250	A300	A350	A400	A450	A550
Diameter mm	a	160	200	250	300	350	400	450	550
	b	130	165	215	265	300	350	400	500
	c H7	110	130	180	230	250	300	350	450
Length mm	o	18	18	18/20*	20/22*	22	22/24*	24/29*	24/29*
	q	5	5	5	5	6	6	6	6
	r	11	11	13	13	17.5	17.5	17.5	17.5
	Screws K	4xM8	4xM10	4xM12	4xM12	4xM16	4xM16	8xM16	8xM16

Constructed and tested acc. to VDE 0580. Subject to modifications in dimensions and construction.

Datum	Thonen	gezeichnet	geprüft	normgeprüft	Erz.:	Blatt
23.01.2001					214	01
AN-NR.	A / 4-Tho01106	B / 4-Tho02076	C / 4-Tho04016	D / 8-Tho09102		01
Tag	13.12.2001	22.11.2002	14.04.2004	06.10.2009	a01 100 400-953	
Name	Thonen	Thonen	Thonen	Loet		